

# SOLAR MODULE 300 W



**60 CELLS-MONOCRYSTALLINE**



**ADVANCED PERC CELL TECHNOLOGY**

Absorbing more light, High module efficiency  
Low breakage rate, Annual power degradation 0.7%



**FAST & SAFE**

Easy installation and handling  
Environmentally friendly



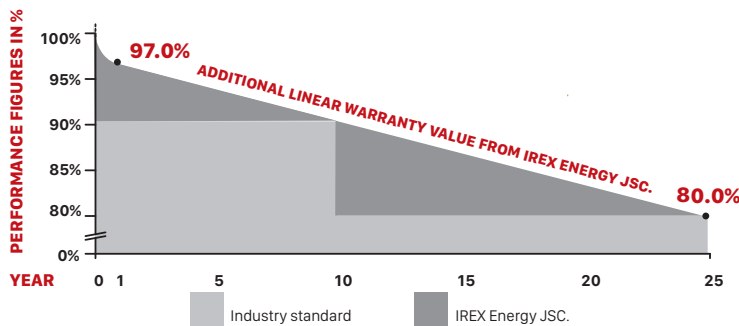
**MODULE DURABILITY**

5400 Pa snow load, 2400 Pa wind load  
Ideal for PV rooftops, ground mount, floating



**THE #1 DOMESTIC PV MANUFACTURER IN VIETNAM**

100% Automatic production line  
International quality PV technology



**CERTIFICATES**



- IEC 61215:** Terrestrial photovoltaic (PV) modules – Design qualification and type approval
- IEC 61730:** Photovoltaic (PV) module safety qualification
- UL 1703, UL/ORD-C1703:2018:** Standard for Flat-Plate Photovoltaic Modules and Panels
- IS 14286:2010:** Crystalline Silicon Terrestrial Photovoltaic (PV) Modules - Design Qualification and Type Approval
- IEC 61701:** Salt mist corrosion testing of PV Modules
- IEC 62716:** Photovoltaic modules - Ammonia corrosion testing
- ISO 9001:2015:** Quality Management System
- ISO 14001:2015:** Environmental Management System

**HIGH QUALITY FOR PROSPERITY**

IREX Energy Joint Stock Company produces the #1 Vietnamese-Made Photovoltaic (PV) modules, internationally certified with excellent performance and flexible in customization per demand.

Going solar requires a long-term commitment. For this, all our solar modules are **insured by MunichRe**, world's best reinsurance provider. You can sit back, relax and enjoy the sunshine; as our company and warranty partner will **always be with you in 25 years!**

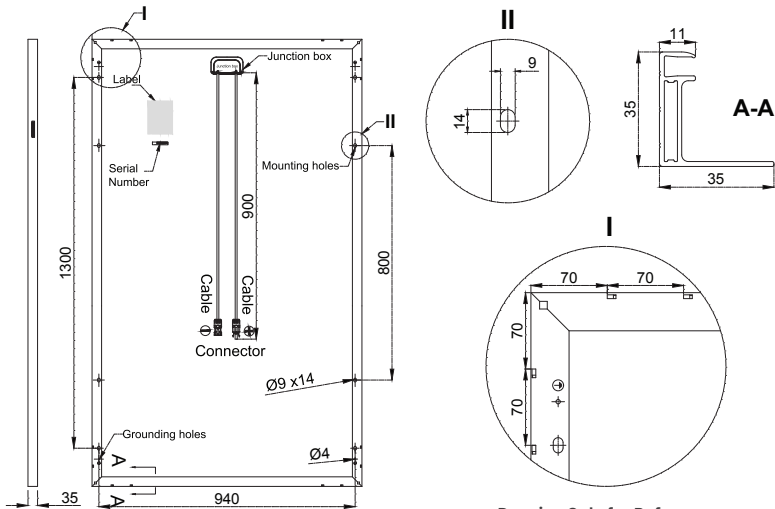
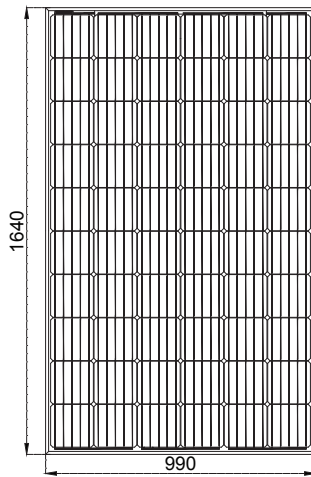
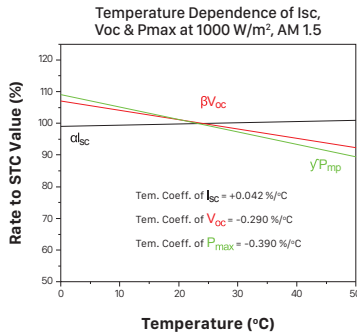
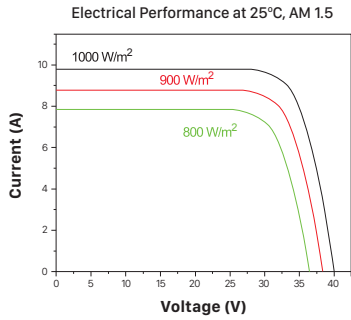
With the **finest price and customer service** can only be found at IREX Joint Stock Company, we look forward to working with you soon!

**IREX ENERGY JOINT STOCK COMPANY**

**Head Office:** No. 47, Le Van Thinh Street, Quarter 5, Binh Trung Dong Ward, District 2, HCMC, Vietnam  
**Factory Address:** Road No. 1A, Phu My 1 Industrial Zone, Tan Phuoc Ward, Phu My Town, Ba Ria - Vung Tau Province, Vietnam  
**Tel:** +84-28-7300-1559 | **Email:** info@irex.vn | **Website:** www.irex.vn  
**Fax HCMC:** +84-28-7300-6760 | **Fax IREX Factory:** +84-254-2923-594



## PERFORMANCE



Drawing Only for Reference

## MECHANICAL CHARACTERISTICS

Cell Type	156.75 x 156.75 mm Monocrystalline, 60 (6 x 10) pcs in series
Front Cover	3.2 mm High Transmission, Low Iron, Tempered Glass with Anti-Reflective Coating
Back Cover	Composite film
Frame	Anodized Aluminum Alloy type 6063-T5 (Silver/ Black)
Junction Box	3 bypass diodes, IP 68 rated in accordance with IEC 62790
Dimension	1640 x 990 x 35 mm
Output Cable	4 mm <sup>2</sup> (IEC)/ 12 AWG (UL), 900 mm in accordance with IEC 62852
Weight	19 kg (approx)
Connector	MC4 Compatible

## PACKING INFORMATION

Container	20' GP	40' GP	40' HQ
Pallets per Container	12	28	28
Pieces per Container	360	840	896

## ELECTRICAL CHARACTERISTICS STC IRM60S1-300

Maximum Power ( $P_{max}$ )	300 W
Power Tolerance	0 ~ 3 %
Module Efficiency	18.48 %
Maximum Power Current ( $I_{mp}$ )	9.26 A
Maximum Power Voltage ( $V_{mp}$ )	32.40 V
Short Circuit Current ( $I_{sc}$ )	9.80 A
Open Circuit Voltage ( $V_{oc}$ )	40.08 V
Module Fire Performance	Type 1 (UL 1703) or Class C (IEC 61730)
Values at Standard Test Conditions	
(STC: AM 1.5 Spectrum, Irradiance of 1000 W/m <sup>2</sup> , Cell Temperature 25°C)	

## ELECTRICAL CHARACTERISTICS NMOT IRM60S1-300

Maximum Power ( $P_{max}$ )	219 W
Maximum Power Current ( $I_{mp}$ )	7.34 A
Maximum Power Voltage ( $V_{mp}$ )	29.85 V
Short Circuit Current ( $I_{sc}$ )	7.82 A
Open Circuit Voltage ( $V_{oc}$ )	37.20 V
Values at Nominal Module Operating Temperature	
(NMOT: AM 1.5 Spectrum, Irradiance of 800 W/m <sup>2</sup> , Ambient Temperature 20°C, Wind Speed 1 m/s)	

## OPERATING CONDITIONS

Operating Temperature	-40°C ~ +85°C
Maximum System Voltage	1500 VDC (IEC)/ 1500 VDC (UL)
Maximum Series Fuse Rating	20 A (IEC)/ 20 A (UL)
NMOT	45°C ± 2°C
Application Class	Class A